

Q Belt



Retractable crowd control system, Q Belt, is ready to use in place which offers a choice of post finishes combined with a selection of belt colours. It is suitable to be used wherever people come together. Such as airports, cinema halls, hotels, museums etc. 4 way pole provides the flexibility to create the optimum pedestrian flow. Retractable tape is controlled with tension to keep the tape straight when the tape is moved or pulled out. Q Belt is constructed from sturdy, durable steel. It features with rubberized and heavy weight base.

2,9 mt tape (+/- 50 mm) is available in 3 colour: Black, Red and Blue.
2,9 meter (+/- 50 mm) Ausführung ist verfügbar mit 3 Farben : Schwarz, Rot, Blau/

Post and base is available in Silver, Chrome, Black and White.
Ständer und Fuß sind vorhanden in Silber, Chrom, Schwarz und Weiß

Tape is suitable for branding in printing size of max 40x2700mm. Belt length may change between 2100-2900mm depending on belt color and double side printing option and print design.
Das Band ist in der maximalen Grösse 40x2700mm bedruckbar . Die Bandlänge variiert je nach Farbe zwischen 2100-2900 mm . Auch beidseitig bedruckbar.

2 packs. See info chart for pack sizes.
2 Packungen. Siehe Infodiagramm für Packungsgrößen.

Choice of 3 Belt colours:
Wahl von 3 Gürtelfarben :

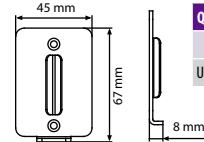


Accessories available!

Available only A4 Landscape & Portrait



Q Belt For Wall



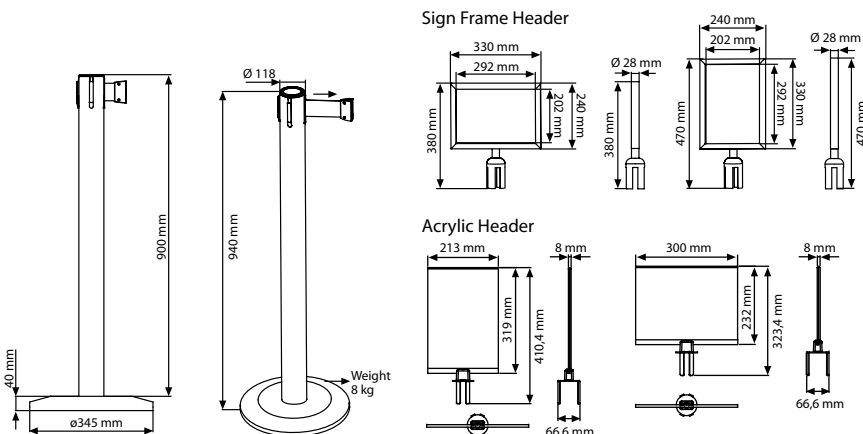
Q BELT FOR WALL : Steel	
ARTICLE	DESCRIPTION
UQBLWC00	Black wall connection

HEADER: Acrylic		WEIGHT	PACKING SIZE
ARTICLE	DESCRIPTION	WITHPACKING	*W X H X D
UQBL0011A4	Portrait, A4	1,000 kg	245 X 335 X 75 mm
UQBL0012A4	Landscape, A4	1,000 kg	245 X 335 X 75 mm

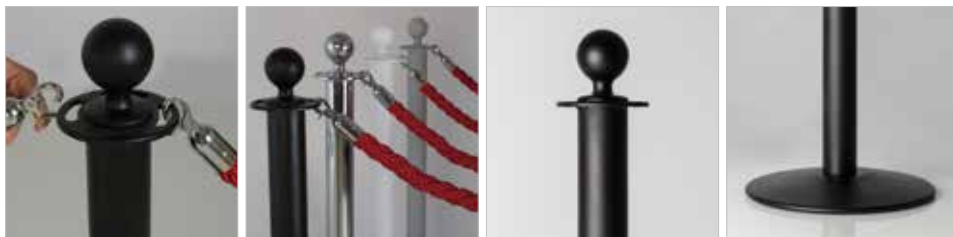
HEADER: Sign Frame		WEIGHT	PACKING SIZE
ARTICLE	DESCRIPTION	WITHPACKING	*W X H X D
TWBSFH0305	Barrier Sign Frame, Horizontal, Black A4	1,500 kg	350 X 410 X 80 mm
TWBSFV0305	Barrier Sign Frame, Vertical, Black A4	1,500 kg	260 X 490 X 80 mm
TWBASF0405	Adaptor Of Sign Frame		80 X 130 X 85 mm

MATERIAL : Steel post		WEIGHT	PACKING SIZE
ARTICLE	DESCRIPTION	WITHPACKING	*W X H X D
UQBL01BB00	Black-Black Tape	9,360 kg	100 X 970 X 125 mm / 390 X 390 X 60 mm
UQBL01BR00	Black-Red Tape	9,360 kg	100 X 970 X 125 mm / 390 X 390 X 60 mm
UQBL01BL00	Black-Blue Tape	9,360 kg	100 X 970 X 125 mm / 390 X 390 X 60 mm
UQBL01GB00	Grey-Black Tape	9,360 kg	100 X 970 X 125 mm / 390 X 390 X 60 mm
UQBL01GR00	Grey-Red Tape	9,360 kg	100 X 970 X 125 mm / 390 X 390 X 60 mm
UQBL01GL00	Grey-Blue Tape	9,360 kg	100 X 970 X 125 mm / 390 X 390 X 60 mm
UQBL01CB00	Chrome-Black Tape	9,360 kg	100 X 970 X 125 mm / 390 X 390 X 60 mm
UQBL01CL00	Chrome-Blue Tape	9,360 kg	100 X 970 X 125 mm / 390 X 390 X 60 mm
UQBL01CR00	Chrome-Red Tape	9,360 kg	100 X 970 X 125 mm / 390 X 390 X 60 mm





*W:Width H: Height D: Depth



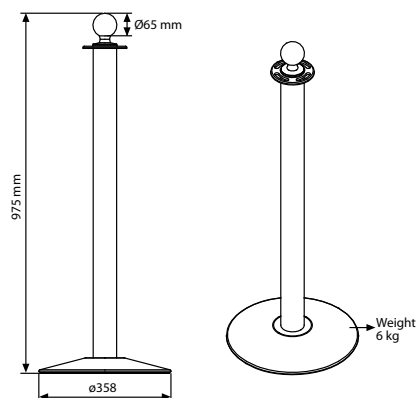
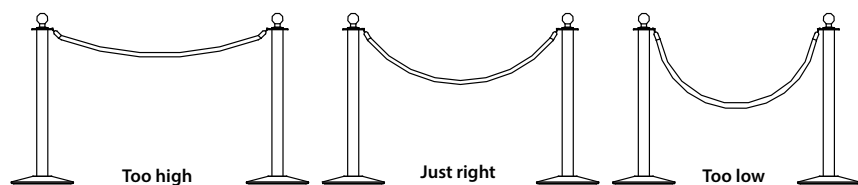
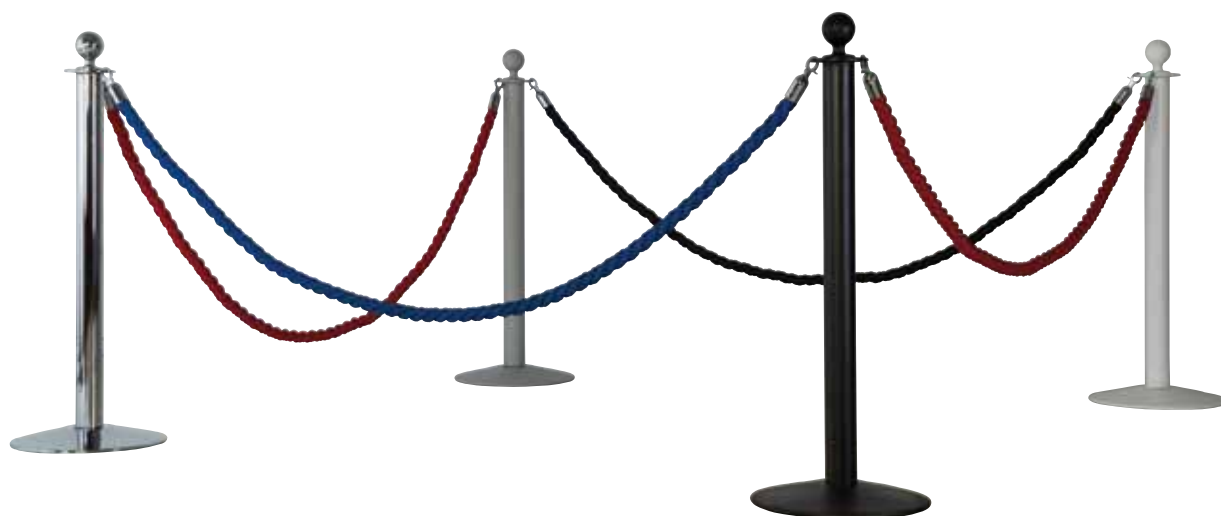
Q Rope Knop Top



Strong and high quality Q Rope is ready to use. It is constructed from sturdy, durable steel. 4-way pole provides flexibility for the use. Ideal in banks, hotels, receptions, retail shops and anywhere that required a crowd management system. Contemporary finish of the pole with knob-flat-top offers differentiation. Q Rope incorporate twisted design barrier rope, which looks high quality and professional. It features with rubberized base.

-  2mt rope is available in 3 colour: Black, Red and Blue.
2meter Ausführung ist verfügbar mit 3 Farben : Schwarz, Rot, Blau.
-  Post and base is available in Gray, Chrome, Black and White.
Ständer und Fuß sind vorhanden in Grau, Chrom, Schwarz und Weiß .
-  Sold as individual components.
Als einzelne Komponenten erhältlich.
-  2 packs. See info chart for pack sizes.
2 Packungen. Siehe Infodiagramm für Packungsgrößen.

Choice of 3 Rope colours:
Wahl von 3 Gürtelfarben :







MATERIAL : Steel		WEIGHT	PACKING SIZE
ARTICLE	DESCRIPTION	WITHPACKING	*W X H X D
UQRPP1B010	Black - Knob Top. W/out Weight W/out Rope	6,250 kg	140 X 970 X 140 mm / 390 X 390 X 60 mm
UQRPP1G010	Grey - Knob Top. W/out Weight W/out Rope	6,250 kg	140 X 970 X 140 mm / 390 X 390 X 60 mm
UQRPP1C010	Chrome - Knob Top. W/out Weight W/out Rope	6,250 kg	140 X 970 X 140 mm / 390 X 390 X 60 mm
UQRPP1W010	White - Knob Top. W/out Weight W/out Rope	6,250 kg	140 X 970 X 140 mm / 390 X 390 X 60 mm
UQRPOOL000	Blue-Chrome / only rope	0,950 kg	120 X 460 X 95 mm
UQRPOOB000	Black-Chrome / only rope	0,950 kg	120 X 460 X 95 mm
UQRPOOR000	Red-Chrome / only rope	0,950 kg	120 X 460 X 95 mm
TWBTRT0201	Red-Gold / only rope	0,950 kg	120 X 460 X 95 mm

*W:Width H: Height D: Depth

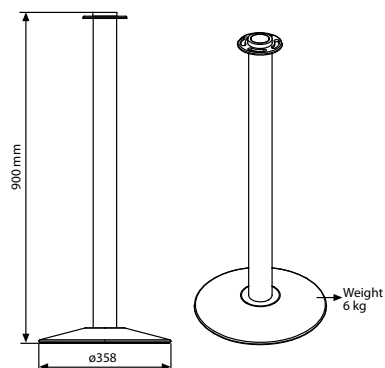
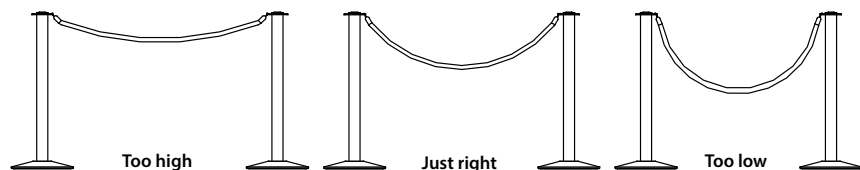
Q Rope Flat Top



Strong and high quality Q Rope is ready to use. It is constructed from sturdy, durable steel. 4-way pole provides flexibility for the use. Ideal in banks, hotels, receptions, retail shops and anywhere that required a crowd management system. Contemporary finish of the pole with knob-flat-top offers differentiation. Q Rope incorporate twisted design barrier rope, which looks high quality and professional. It features with rubberized base.

-  2m rope is available in 3 colour: Black, Red and Blue. *2meter Ausführung ist verfügbar mit 3 Farben : Schwarz, Rot, Blau.*
-  Post and base is available in Gray, Chrome, Black and White. *Ständer und Fuß sind vorhanden in Grau, Chrom, Schwarz und Weiß .*
-  Sold as individual components. *Als einzelne Komponenten erhältlich.*
-  2 packs. See info chart for pack sizes. *2 Packungen. Siehe Infodiagramm für Packungsgrößen.*

Choice of 3 Rope colours:
Wahl von 3 Gürtelfarben :



MATERIAL : Steel		WEIGHT	PACKING SIZE
ARTICLE	DESCRIPTION	WITHPACKING	*W X H X D
UQRPP1B020	Black - Flat Top. W/out Weight W/out Rope	6,250 kg	140 X 970 X 140 mm / 390 X 390 X 60 mm
UQRPP1G020	Grey - Flat Top. W/out Weight W/out Rope	6,250 kg	140 X 970 X 140 mm / 390 X 390 X 60 mm
UQRPP1C020	Chrome - Flat Top. W/out Weight W/out Rope	6,250 kg	140 X 970 X 140 mm / 390 X 390 X 60 mm
UQRPP1W020	White - Flat Top. W/out Weight W/out Rope	6,250 kg	140 X 970 X 140 mm / 390 X 390 X 60 mm
UQRPOOL000	Blue-Chrome / only rope	0,950 kg	120 X 460 X 95 mm
UQRPOOB000	Black-Chrome / only rope	0,950 kg	120 X 460 X 95 mm
UQRPOOR000	Red-Chrome / only rope	0,950 kg	120 X 460 X 95 mm
TWBTRT0201	Red-Gold / only rope	0,950 kg	120 X 460 X 95 mm

* W:Width H: Height D: Depth